



Product technical sheet

WOODEN WD1449



3 - 14 years



16 kids



28,5 m²



Material specification

- Construction made of the highest quality laminated, impregnated and double coated pine wood 90 x 90 mm without knots, secured from the top with polypropylene plugs,
- Metal anchors made of hot dip galvanized steel, protecting the wood from direct contact with the ground to prevent rot and to extend the product's life,
- Platforms and climbing walls made of durable anti-slip and waterproof plywood or HPL plate,
- Structure for platforms made of hot-dip galvanized and powder coated steel;
- Roofs, side panels made of durable HDPE or HPL plate, resistant to weather conditions,
- Fireman's pole and tubular sled made of stainless steel,
- Double wall tube passage made of polypropylene,
- Climbing stones made of durable HDPE plate, resistant to weather conditions,
- Steel ropes in polypropylene braid, connected with durable plastic elements, stainless steel or aluminum,
- Ladders made of steel ropes in polypropylene braid and rungs made of synthetic material,
- Calibrated stainless steel chains, preventing fingers entrapment,
- Stainless steel bars and handrails,
- Screws covered with plastic caps and/or stainless steel screws,
- Safe end caps made of polypropylene,



Physical development



sliding



pull-up



climbing



crawling





1
number of towers



1
number of roofs



7
number of activity elements

Product technical sheet

WOODEN WD1449

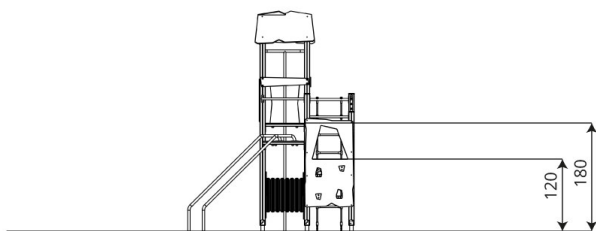
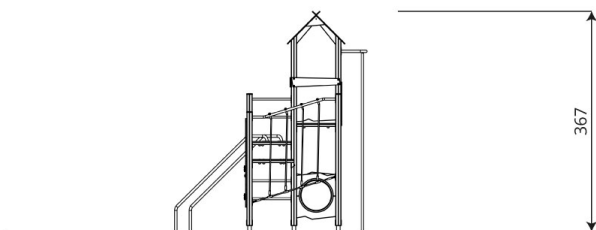
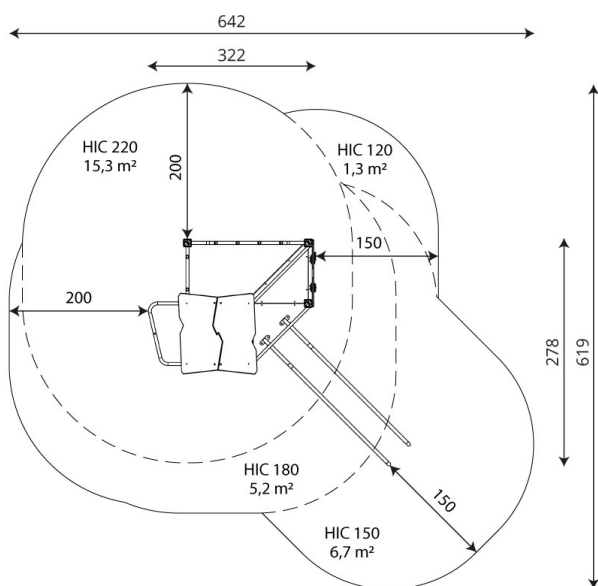
Product data

Length	322 cm
Width	278 cm
Total height	367 cm
Age group	3 - 14 years
Number of users	16 kids
Safety zone	28,5 m2
Free fall height	220 cm
The height of the platforms	120, 150, 180 cm
In accordance with norm EN	1176-1:2017
Weight of the heaviest part	8 kg
Dimensions of the largest part	317x9x9 cm
Availability of spare parts	YES
Installation time	6,0 h
Color options	

Data is subject to change without prior notice.

Additional information

- equipment intended for public playgrounds;
- equipment has a certificate issued by an accredited entity or a declaration of conformity;
- no sharp edges or chinks that would pose a danger of jimmieing the head, fingers or any other body parts;
- anchoring on flat surface, 80/70/60 cm deep;
- render is for reference only, the actual appearance of the equipment and its color may vary;



Guarantee

30

30 year guarantee - Structural strength of steel and stainless steel components

15

15 year guarantee - Structural failure of steel and stainless steel, for dynamic equipment

10

10 year guarantee - Structural failure of high density polyethylene and high pressure laminates components

5

5 year guarantee - Corrosion of stainless steel and hot dip galvanized and powder coated components; against bark beetles and rot in case of wooden structural elements

Detailed information in the guarantee card



Surfaces according to EN 1176-1:2017

	Description (mm)	Layer thickness (cm)	Maximum fall heights (cm)
Turf/ top layer of soil (A,B,C)	-	-	≤100
bark (A,C)	Particle size from 20 to 80	30	≤200
		40	≤300
woodchips (A,C)	Particle size from 5 to 30	30	≤200
		40	≤300
sand or gravel (A,C)	Particle size from 0,25 to 8	30	≤200
		40	≤300
synthetic attested (A,B,C)	Tested according to EN 1177		220

Product technical sheet

WOODEN WD1449

Amount of safe surface corresponding with free fall height:

HIC 120	1,3 m ²
HIC 150	6,7 m ²
HIC 180	5,2 m ²
HIC 220	15,3 m ²

Data is subject to change without prior notice.

