

ROBINIA RB1246



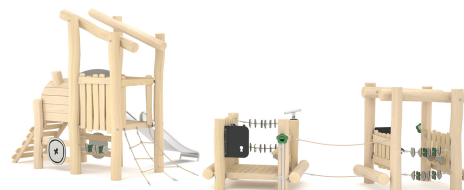
2+



36 kids



51,8 m²



Material specification

- Construction made of Robinia - very durable acacia wood with a diameter of ~ 18 cm without sharp edges, resistant to weather conditions,
- Platforms, gangways, side panels and seats made of Robinia - very durable acacia wood, resistant to weather conditions,
- Rubber door with textile reinforcement,
- Slides made of stainless steel,
- Moving elements made of durable HPL plate, resistant to weather conditions,
- Telescope made of stainless steel and durable HDPE plate, resistant to weather conditions,
- Dashboard and steering wheel made of durable HDPE plate, resistant to weather conditions,
- Flowers made of durable HPL plate, resistant to weather conditions; underground installation made of synthetic material connects 2 stainless steel profiles allowing the communication,
- Steel ropes in polypropylene braid, connected with durable plastic elements, stainless steel or aluminum,
- Calibrated stainless steel chains, preventing fingers entrapment,
- Screws covered with plastic caps and/or stainless steel screws,



Facilitating disability



sound stimulation



easy access



integration



Intellectual development



manipulation



music



sight



Physical development



hiding



sliding



rest



climbing





2
number of towers



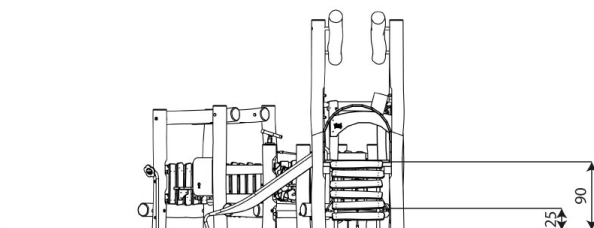
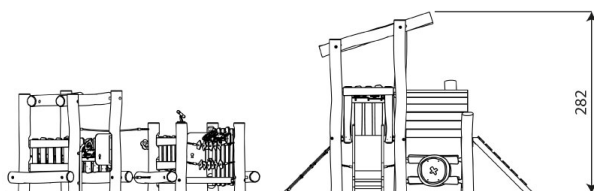
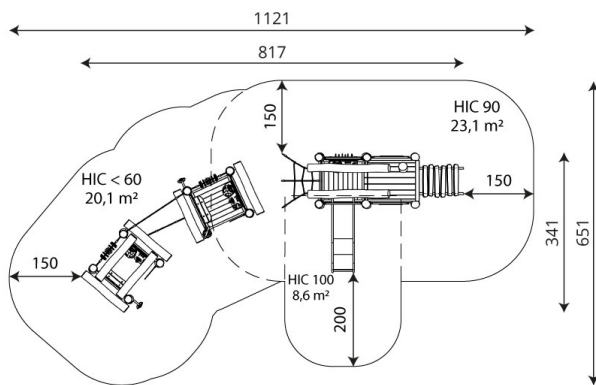
1
number of slides



6
number of interactive elements



2
number of activity elements



Product technical sheet

ROBINIA RB1246

Product data

| | |
|--------------------------------|--------------|
| Length | 817 cm |
| Width | 341 cm |
| Total height | 282 cm |
| Age group | 2+ years |
| Number of users | 36 kids |
| Safety zone | 51,8 m2 |
| Free fall height | 90 cm |
| The height of the platforms | 25,90 cm |
| In accordance with norm EN | 1176-1:2017 |
| Weight of the heaviest part | 81 kg |
| Dimensions of the largest part | 350x18x18 cm |
| Availability of spare parts | YES |
| Installation time | 10,0 h |

Data is subject to change without prior notice.

Additional information

- equipment adapted for the disabled; intended for public playgrounds;
- equipment has a certificate issued by an accredited entity or a declaration of conformity;
- no sharp edges or chinks that would pose a danger of jimmie the head, fingers or any other body parts;
- anchoring on flat surface, 80/70/60 cm deep;
- slide should not be installed southwards;
- render is for reference only, the actual appearance of the equipment and its color may vary;

Guarantee

30

30 year guarantee - Structural strength of steel and stainless steel components

15

15 year guarantee - Structural failure of steel and stainless steel, for dynamic equipment

10

10 year guarantee - Structural failure of high density polyethylene and high pressure laminates components

5

5 year guarantee - Corrosion of stainless steel and hot dip galvanized and powder coated components; against bark beetles and rot in case of wooden structural elements

Detailed information in the guarantee card

Vinci Group Sp. z o.o.
Seminarnyja 9 Street
99-400 Łowicz

VAT: 534-250-14-46
PHONE: +48 42 203 24 99 ext. 26
M: +48 793 404 991



biuro@vinci-play.com
info@vinci-play.com
www.vinci-play.com

Surfaces according to EN 1176-1:2017

| | Description (mm) | Layer thickness (cm) | Maximum fall heights (cm) |
|---------------------------------|------------------------------|----------------------|---------------------------|
| Turf/ top layer of soil (A,B,C) | - | - | ≤100 |
| bark (A,C) | Particle size from 20 to 80 | 30 | ≤200 |
| | | 40 | ≤300 |
| woodchips (A,C) | Particle size from 5 to 30 | 30 | ≤200 |
| | | 40 | ≤300 |
| sand or gravel (A,C) | Particle size from 0,25 to 8 | 30 | ≤200 |
| | | 40 | ≤300 |
| synthetic attested (A,B,C) | Tested according to EN 1177 | | 100 |

Product technical sheet

ROBINIA RB1246

Amount of safe surface corresponding with free fall height:

HIC <60 20,1 m²

HIC 90 23,1 m²

HIC 100 8,6 m²

Data is subject to change without prior notice.

