

DATA SHEET MERRY-GO-ROUND FLECTO

Text for invitation to tender | Item-No.: 514022401



MATERIALS | SCOPE OF SUPPLY

Merry-go-round, pre-mounted completely

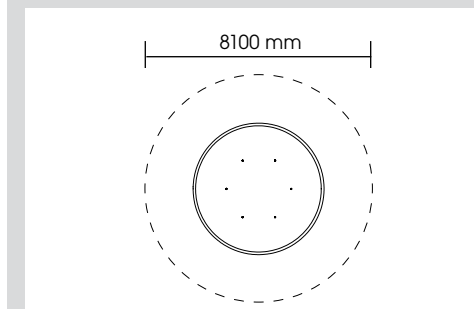
Tubular frame:	Stainless steel, V2A
Bearing:	ball bearing
Platform:	steel coated with EPDM granules, all around stainless steel ring, V2A
Foundation anchor:	galvanized steel

TECHNICAL INFORMATION

Dimensions:

Main dimension:	Ø 2100 mm
Height:	650 mm
Weight:	480 kg
Capacity:	acc. to normative requirements
Dimension largest piece:	Ø2100 x 1100 mm
Heaviest piece:	465 kg

Max. fall height:	650 mm
Impact area:	51,53 m ²
Required safety slabs:	72,25 m ²
Required lawn grating:	81,00 m ²
Recommended surface material:	grass, sand, wood chip gravel, synth. impact protection



INSTALLATION

Foundations: 1
Modified installation depth possible (special edition)

Installation according to our detailed mounting instructions, see www.stilum.com

